

# Handheld Scanners

## Z-3000

### Handheld CCD Scanner



#### Features

##### Streamline, slim, ergonomic design

Sleek lines and easy-to-hold grip, thumb pressing button for durable and comfortable use

##### Superior scanning performance

Innovative high pixels CCD for quick and accurate reads

##### Built-in decoder

For instant recognition and decoding of the most popular barcodes

##### LED scan indicator and programmable beeper

For enhanced user feedback of scan status

##### Flexible communication

Multiple interfaces include keyboard, RS-232C, USB and wand



▲ Optional adjustable stand

#### Applications

Point-of-sale

Stock control

Logistics tracking

Document tracking

Shipping/receiving

The Z-3000 series of handheld barcode scanner is a middle range CCD scanner that designed to give the user an unsurpassed combination of flexibility and power, matching each user's needs to a tee.

It has ergonomic, ultra-slim form factor that reduces user fatigue, and its durable trigger switch design stands up to even the heaviest usage. Its built-in decoder enables the Z-3000 series to handle the majority of 1D barcodes in existence. With its LED scan indicator and programmable tones, users can receive instant scan feedback from the Z-3000 series. It is multi-interface and equipped with field replaceable cable give user the flexibility in operation.

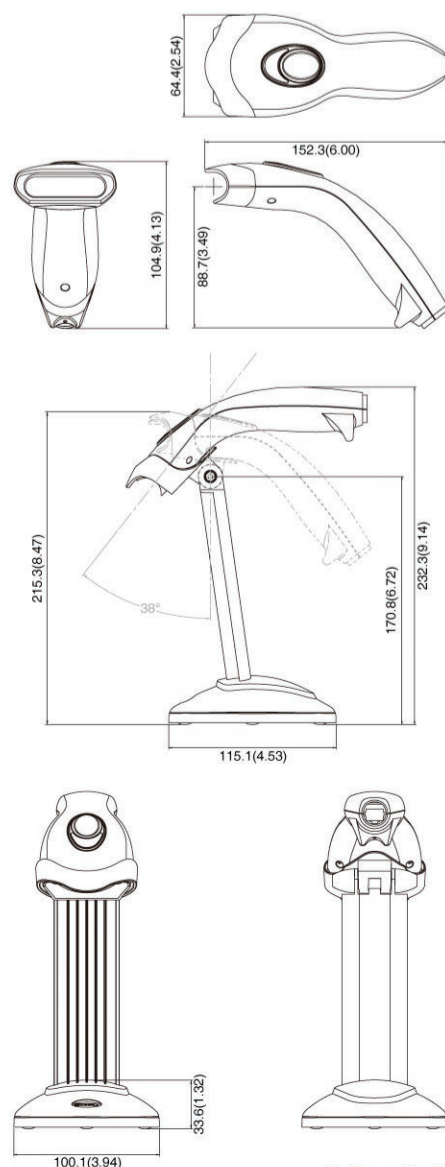
Just plug into your host device and it is ready to work, no hassle, and no operator training required. The Z-3000 series offers a compelling dainty scanning solution at a price that is hard to ignore.



#### Specifications

OPERATIONAL	
Light Source	630 nm visible red LED
Optical System	2,500 pixels CCD
Depth of Field	0 – 150 mm (PCS 90%)
Scan Angle	42°
Scan Rate	100 scans per second
Minimum Bar Width	0.125 mm (5 mil) (0.1 mm actually) (Code 39, PCS=90%)
Print Contrast	Min. 30% @ UPC/EAN 100%
Indicators (LED)	Blue LED
Beeper Operation	Programmable tone & beep time
System Interfaces	Keyboard, RS-232C, USB1.1, wand
PHYSICAL	
Height	104.9 mm
Depth	152.3 mm
Width	64.4 mm
Weight	120 g (Cable excluded)
Cable	Field replaceable, standard 2 m straight
POWER	
Input Voltage	5 VDC ±5%
Operating Current	100 mA typical
REGULATORY	
EMC	CE EN55022B; FCC Part 15 Class B, VCCI, BSMI
ENVIRONMENTAL	
Operating Temperature	0°C – 50°C (32°F – 122°F)
Storage Temperature	-20°C – 60°C (-4°F – 140°F)
Humidity	20% – 85% RH (non-condensing)
Light Levels	Max. 20,000 Lux (fluorescence)
Shock	Designed to withstand 1.5 m drops
DECODING CAPABILITY	
1D Barcodes	UPC/EAN/JAN, UPC/EAN with supplementary, JAN 8 & JAN 13, ISBN/ISSN, Japanese Bookland EAN, Code 39, Code 39 with full ASCII, trioptic Code 39, Codabar (NM7), Code 128, Code 128 with full ASCII, Code 93, Interleaved 2 of 5 (ITF), Addendum 2 of 5, IATA Code, MSI/Plessey, China Postal Code, Code 32
Options	Industrial 2 of 5, Standard 2 of 5, Discrete 2 of 5, Matrix 2 of 5, Code 11, UPC/EAN RSS, RSS variants

#### Dimensions



Unit: mm(inch)