

Handheld Scanners

Z-3010

Handheld CCD Contact Scanner



Features

Light, rugged design

Durable construction ensures long service life

Advanced scanning performance

2,088 pixels CCD with ZEBEX newly designed scan engine

Read status LED indicator and programmable beeper

Allows the user to recognize scan status at a glance

Built-in decoder

Allows automatic recognition and decoding of the most popular barcodes

Multi-interface communication

RS-232C, USB, wand and keyboard emulation interface



Applications

Point-of-sale

Stock control

Logistics tracking

Document tracking

Shipping/receiving

Z-3010 handheld CCD contact scanner, arriving with a rugged finish, is a simple-to-use barcode scanner and a perfect entry-level product for first-time barcode users who search for competitiveness and satisfaction.

The built-in decoding capabilities can recognize most of prevailing 1D barcodes. Z-3010 offers fast, reliable and sensitive scanning performance. That is one-button operation with LED and beeping indicators, even fresh users of barcodes scanning can enjoy the fun of scanning when completing their works.

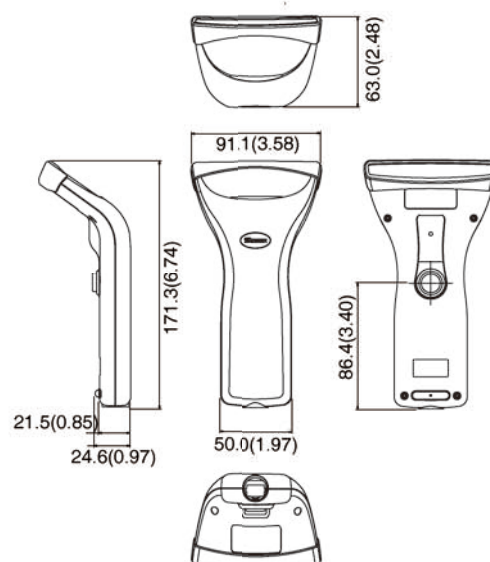
And yet, its fascinating price is offered to further strengthen the competitiveness of business. Z-3010 is making it easier for owners of small-scale retail stores to benefit from the power of barcode technology.



Specifications

OPERATIONAL	
Light Source	630 nm visible LED
Optical System	2,088 pixels CCD
Depth of Field	0 – 20 mm (UPC/EAN 100%)
Width of Field	80 mm
Scan Rate	100 scans per second
Minimum Bar Width	0.125 mm (5 mil) (0.1mm actually) (Code 39, PCS=90%, contact)
Print Contrast	30% @ UPC/EAN 100%
Indicators (LED)	Red LED
Beeper Operation	Programmable tone & beep time
System Interfaces	Keyboard, RS-232C, USB1.1, wand
PHYSICAL	
Height	171.3 mm
Depth	63.0 mm
Width	91.1 mm
Weight	100 g (cable excluded)
Cable	Standard 2 m straight
POWER	
Input Voltage	5 VDC ±10%
Operating Current	70 mA typical
REGULATORY	
EMC	CE EN55022B; FCC Part 15 Class B, VCCI, BSMI
ENVIRONMENTAL	
Operating Temperature	0°C – 50°C (32°F – 122°F)
Storage Temperature	-10°C – 70°C (14°F – 158°F)
Humidity	5% – 95% RH (non-condensing)
Light Levels	Max. 3,000 Lux (fluorescence)
Shock	Designed to withstand 1 m drops
DECODING CAPABILITY	
1D Barcodes	UPC/EAN/JAN, UPC/EAN with supplementary, JAN 8 & JAN 13, ISBN/ISSN, Code 39, Code 39 with full ASCII, trioptic Code 39, Codabar (NM7), Code 128, Code 128 with full ASCII, Code 93, Interleaved 2 of 5 (ITF), Addendum 2 of 5, IATA Code, MSI/Plessey, China Postal Code, Code 32
Options	Japanese Bookland EAN, Industrial 2 of 5, Standard 2 of 5, Discrete 2 of 5, Matrix 2 of 5, Code 11, UPC/EAN RSS, RSS variants

Dimensions



Unit: mm(inch)